

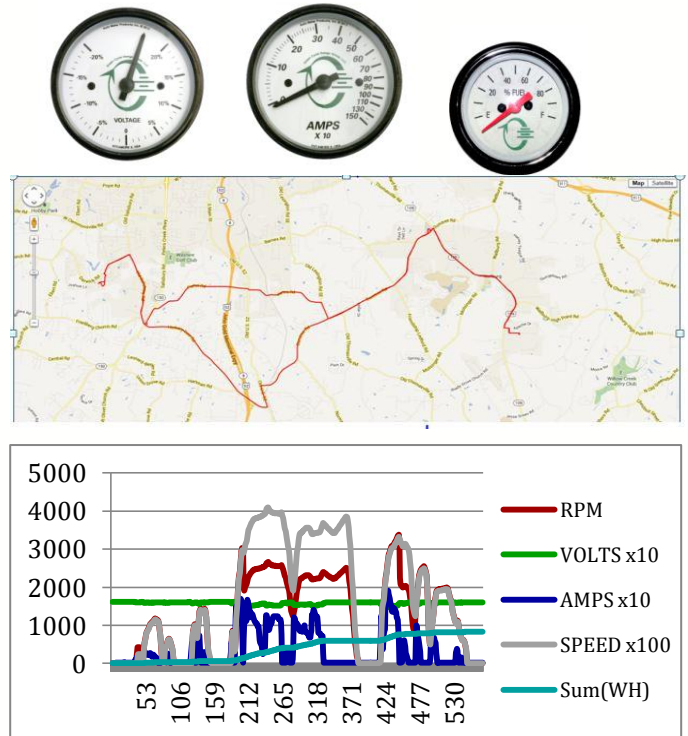
GCG1-B

Fuel, Amp and Volt Smart Gauges™
with Data Recording & Sensor Boards



FEATURES

- Includes Fuel, Amp and Volt gauges
- Records real-time vehicle performance data
- GPS-enabled to measure trip distance and altitude
- Free access to cloud-based software for data analysis
- Data can also be graphed in Excel® 2007 (or later)
- Large, easy-to-read analog dials
- White backlights
- 1-year limited warranty



DESCRIPTION

Green Cycle's Smart Gauges were specifically designed to meet the needs of battery-powered vehicles. This kit is configured for vehicles with existing Speed and Tach gauges. These gauges feature large analog dials that are easy to read while driving, day or night. Critical performance data can be recorded on an SD memory card for optimizing vehicle efficiency and extending the driving range per pack charge. All gauges are electrically isolated from the battery voltage to ensure passenger safety. CAN-bus protocol is used for board-to-board communications to insure high noise immunity. White backlights are utilized to minimize eye fatigue while driving at night. A detailed datasheet with installation instructions is available. Technical support questions can be emailed to

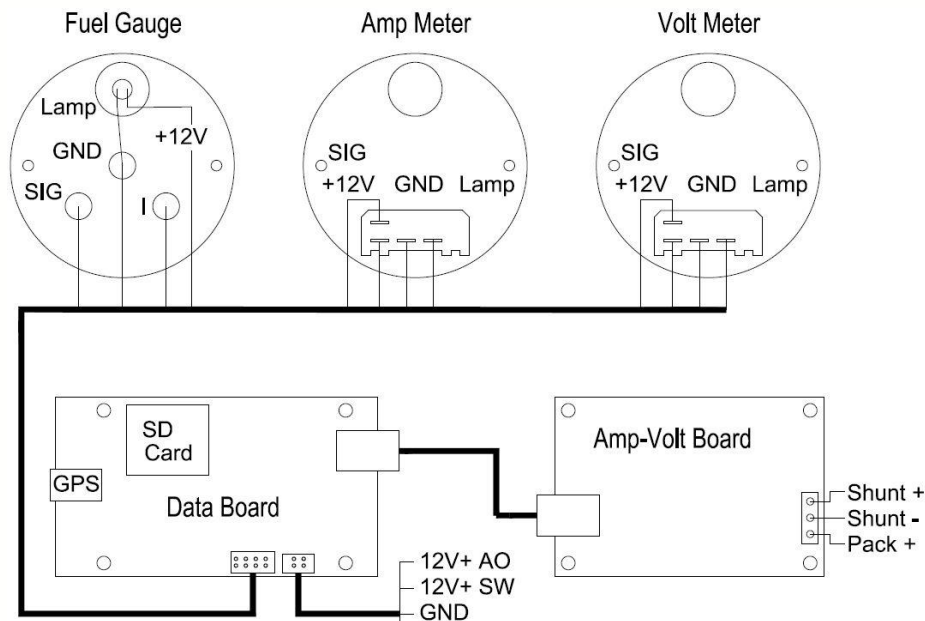
support@greencycle设计group.com.

Information furnished by Green Cycle is believed to be accurate and reliable. However, no responsibility is assumed by Green Cycle for its use. Specifications subject to change without notice.

www.GreenCycleDesignGroup.com

© 2014 Green Cycle Design Group, LLC. All Rights Reserved.

SYSTEM DIAGRAM



INCLUDED IN THE BOX

- Fuel (2" dia.), Amp and Volt (3" dia.) gauges
- Data Recording and Amp-Volt Sensor Boards
- Wiring harnesses (wires are 3' long) and spade connectors for each board
- Installation instructions
- 4GB SD memory card
- 1A fuse for 12V battery positive terminal
- 2A fuse for 12V battery positive Always-On terminal

ADDITIONAL HARDWARE NEEDED FOR INSTALLATION

- One RJ-45 cable (male to male connectors)
- One 500A or 1000A, 50mV shunt resistor
- Additional 20AWG wire for connecting wiring harness to vehicle
- Additional 18AWG ground wire (black)
- Hardware to mount boards securely in vehicle

OTHER GREEN CYCLE PRODUCTS

- GCG1-A: Set of Five Smart Gauges with Data Recording & Sensor Boards
- GCG1-C: Fuel Smart Gauge with Data Recording & Sensor Boards Kit

